

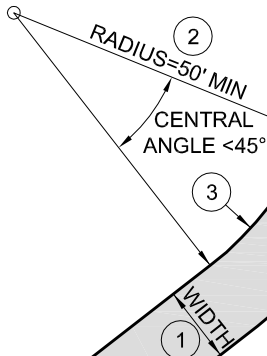
Revisions

Description	Approved	Date	Description	Approved	Date

NOTES:

1. THE MINIMUM WIDTH OF THE DRIVEWAY OR ACCESS ROAD SHALL BE PER DEPARTMENT STANDARDS.
2. MINIMUM INSIDE RADIUS OF ALL DRIVEWAY AND ACCESS ROAD CURVES SHALL BE 50-FEET.
3. NO ADDITIONAL WIDTH IS REQUIRED FOR ANY INSIDE RADIUS HAVING A CENTRAL ANGLE LESS THAN 45° (SEE EXAMPLE 2).
4. 4-FOOT WIDENING OF THE INSIDE RADIUS IS REQUIRED WHEN THE RADIUS IS LESS THAN 100-FEET AND THE CENTRAL ANGLE IS GREATER THAN 45° (SEE EXAMPLE 1).
5. 2-FOOT WIDENING OF THE INSIDE CURVE IS REQUIRED WHEN THE RADIUS IS GREATER THAN 100-FEET BUT LESS THAN 200-FEET AND THE CENTRAL ANGLE IS GREATER THAN 45° (SEE EXAMPLE 3).
6. A MINIMUM 5:1 TAPER SHALL BE PROVIDED EACH SIDE OF THE REQUIRED WIDENING.

EXAMPLE 2: NO WIDENING REQUIRED IF THE CENTRAL ANGLE IS LESS THAN 45°

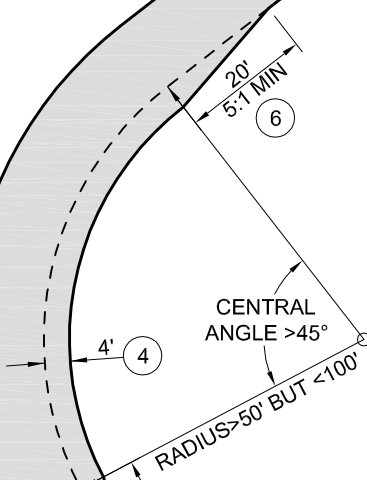


EDGE OF ROAD SURFACE OR FACE OF CURB (ASPHALT OR CONCRETE)

CENTRAL ANGLE >45°

RADIUS >100' BUT <200'

EXAMPLE 3: 2-FOOT WIDENING REQUIRED IF THE RADIUS IS GREATER THAN 100' BUT LESS THAN 200- FEET AND THE CENTRAL ANGLE IS GREATER THAN 45°



EXAMPLE 1: 4-FOOT WIDENING REQUIRED IF THE RADIUS IS LESS THAN 100' AND THE CENTRAL ANGLE IS GREATER THAN 45°



SAN LUIS OBISPO COUNTY FIRE DEPARTMENT
PRIVATE DRIVEWAY & ACCESS ROAD
HORIZONTAL CURVE STANDARD

Scale: 1"=30'	Adopted: AUG 2014
Fire Safe Drawing No: FS-3.1	
Sheet No:	2 OF 3