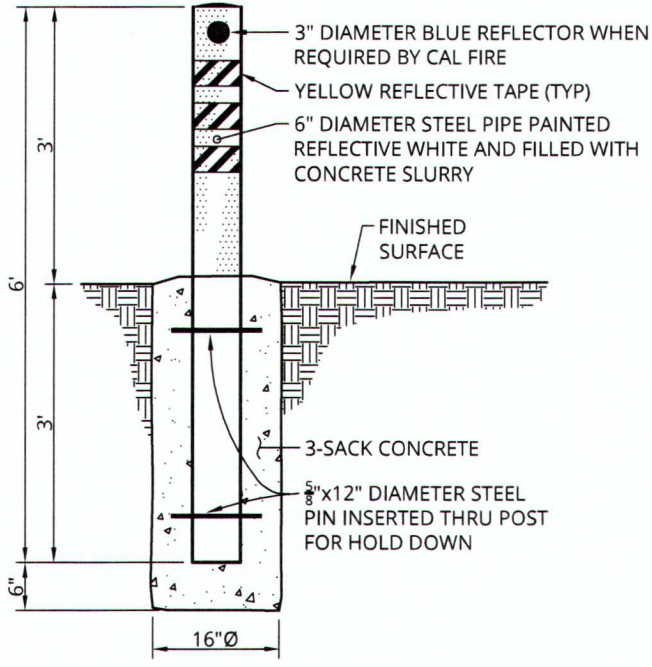


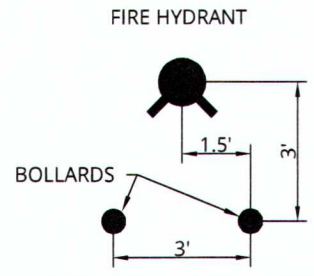
REMOVABLE BOLLARD
SCALE: 1"=2'

- NOTES:
1. REMOVABLE BOLLARDS MUST BE INSTALLED WHEN REQUIRED BY CAL FIRE TO PROVIDE ACCESS TO ROUTES NORMALLY CLOSED TO VEHICLES.
 2. PROVIDE KNOX-BOX PADLOCKS PER CAL FIRE STD 5A.
 3. PROVIDE 48" CLEAR SPACING BETWEEN BOLLARDS (53" ON CENTER).
 4. YELLOW REFLECTIVE TAPE SHALL BE PLACED ON EACH FACE OF BOLLARD.



PERMANENT BOLLARD
SCALE: 1"=2'

- NOTES:
1. BOLLARDS MUST BE INSTALLED ONLY WHEN REQUIRED BY CAL FIRE TO PROTECT FIRE HYDRANTS AND OTHER FIRE APPURTENANCES.
 2. WHEN REQUIRED, BOLLARDS MUST BE INSTALLED PER "TYPICAL BOLLARD LOCATION" DETAIL, THIS SHEET.
 3. BOLLARDS MUST NOT BE LOCATED WITHIN THE PUBLIC RIGHT-OF-WAY WITHOUT AN ENCROACHMENT PERMIT.



TYPICAL BOLLARD LOCATION
SCALE: NTS



COUNTY OF SAN LUIS OBISPO FIRE DEPARTMENT / CAL FIRE
FIRE HYDRANT BOLLARD

Adopted: Aug. 2014	Scale: 1"=2'
Revised: Apr. 2017	Revision No.: 1
Drawing No.:	FP-4